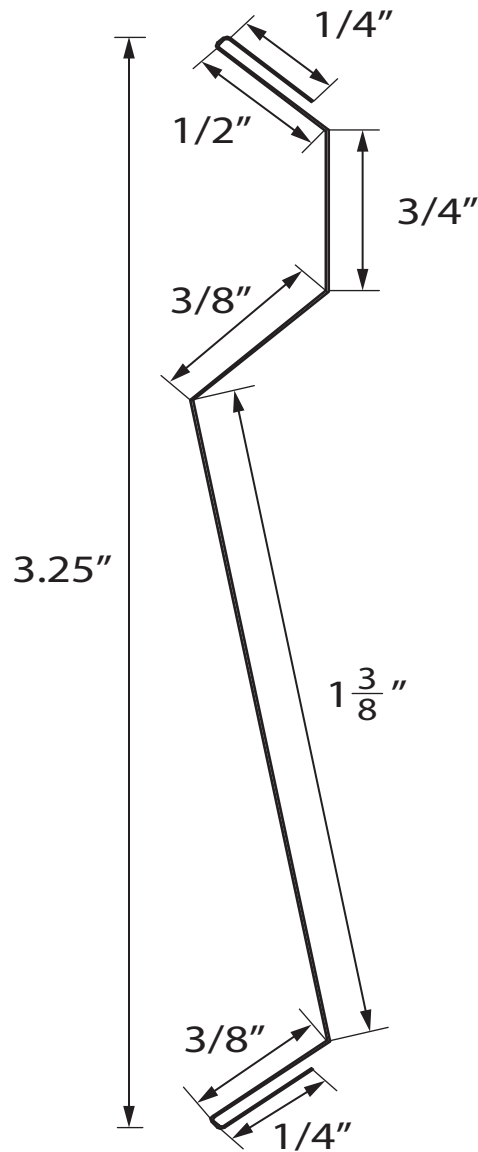


1PC Counter Flashing 3.25" CMS Standard

Sheets Used:

Due Date:

Job #:



QTY: _____ pc(s)

MATERIAL

- Aluminum Kynar .032 or _____ Color _____
- Galvanized G-90 24 Gauge
- Stainless Steel Type 304
- Painted Steel Kynar 24/26Gauge Color _____
- Copper 16/20 oz or _____
- Patina 3000 16/20 oz _____
- Brown Copper 16/20 oz _____ Light Dark
- SMS Stainless 24G _____
- Zinc _____

CUSTOMER APPROVAL	
<input type="checkbox"/> Approved for Fabrication	Authorized Customer Signature _____
Job Address:	
PO #:	Order taken by:
Date Ordered:	Phone #:

 **CHICAGO METAL SUPPLY**
and fabrication, inc.
For a Timeless Look

4940 W. Grand Ave. P: (773) 227-6200
Chicago, IL 60639 F: (773) 227-1700

info@chicagometalsupply.com

Completed By:

Estimate #: