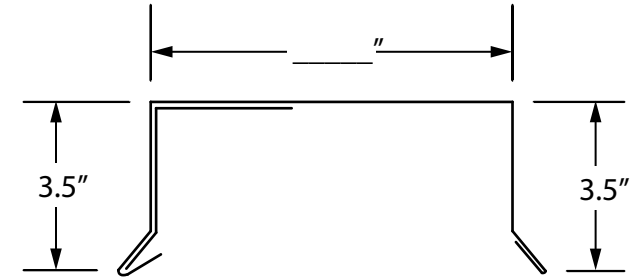
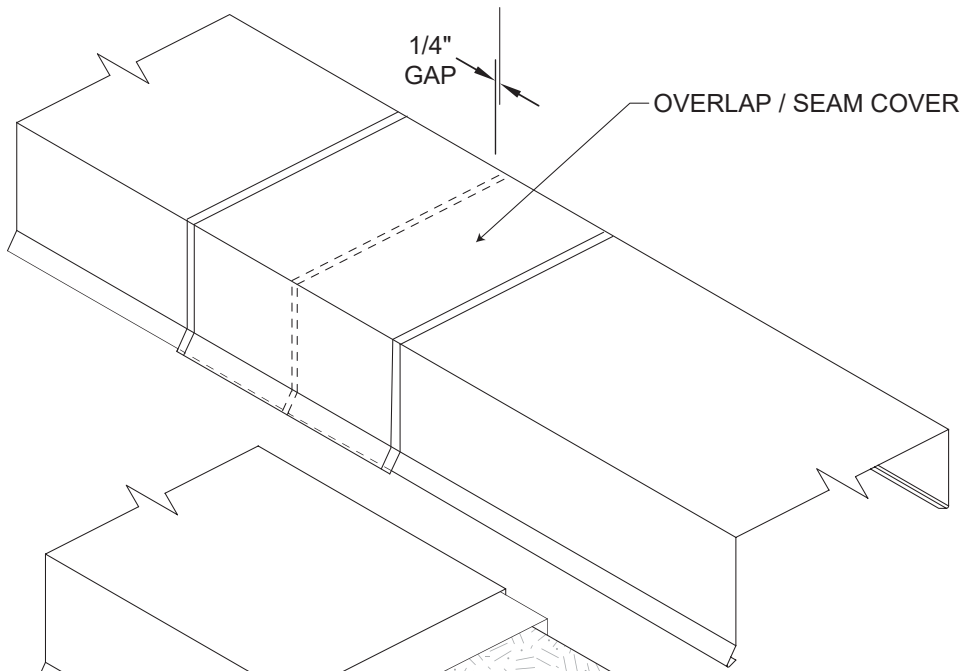


Coping

* Custom sizes available

Sheets Used:



END CAPS: (LOOSE OR ASSEMBLED)

LEFT QTY: _____

RIGHT QTY: _____

COPING: _____ LF

CLEAT: _____ LF

MITERS:

INSIDE QTY: _____

OUTSIDE QTY: _____

OVERLAP: _____ PCS

UNDERLAP: _____ PCS

MATERIAL

- Aluminum Kynar .032 or _____ Color _____
- Galvanized G-90 24 Gauge
- Stainless Steel Type 304
- Painted Steel Kynar 24/26Gauge Color _____
- Copper 16/20 oz or _____
- Patina 3000 16/20 oz _____
- Brown Copper 16/20 oz _____ Light Dark
- SMS Stainless 24G _____
- Zinc _____

COPING
 CONCEALED
 UNDERLAP
 24GA CLEAT
 MEMBRANE

CUSTOMER APPROVAL

Approved for Fabrication

Authorized Customer Signature _____

Job Address: _____

PO #: _____

Date Ordered: _____

Order taken by: _____

Phone #: _____



CHICAGO METAL SUPPLY

and fabrication, inc.

For a Timeless Look

4940 W. Grand Ave. P: (773) 227-6200

Chicago, IL 60639 F: (773) 227-1700

info@chicagometalsupply.com

Due Date:

Job #:

Estimate #:

Completed By: