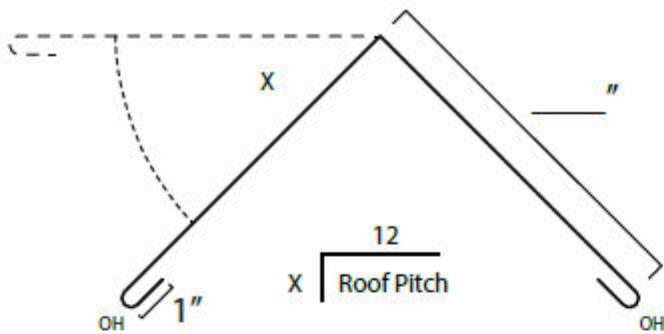


Σ = Girth

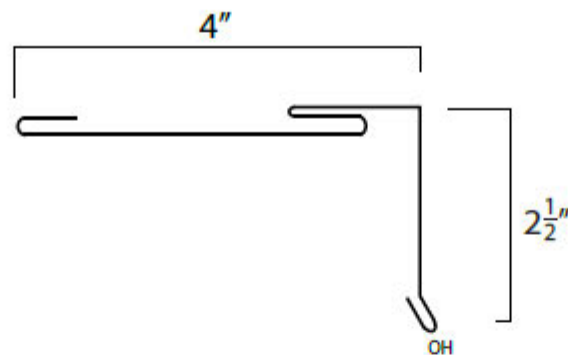
Standing Seam Accessories Page 2

Sheets Used: _____

Hip & Ridge QTY: _____

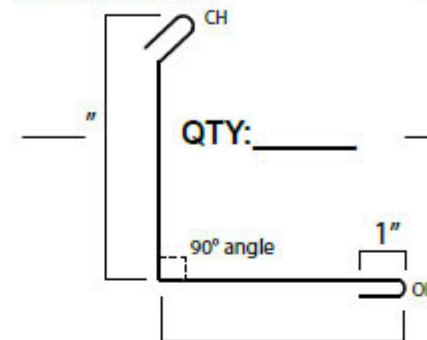


Rake Edge QTY: _____



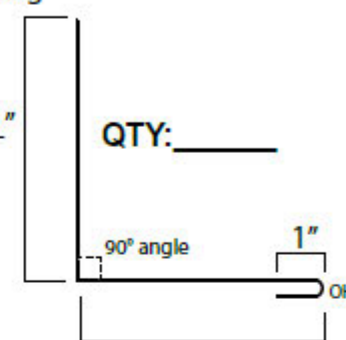
Side Wall Flashing

Surface Mount



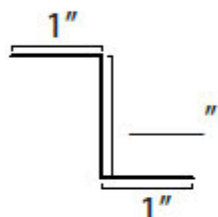
Σ = _____

Siding



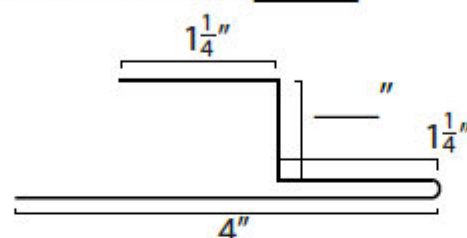
Σ = _____

Zee Closure QTY: _____



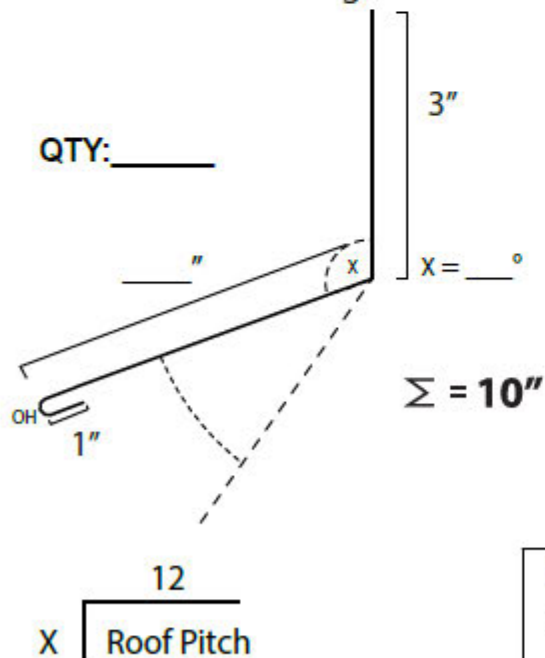
Σ = _____

Zee Receiver QTY: _____

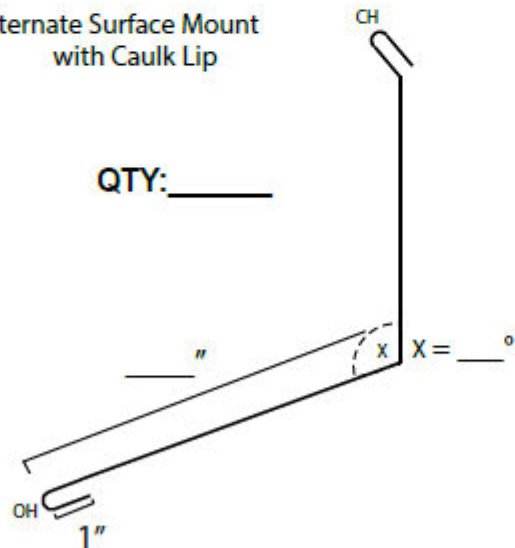


Σ = _____

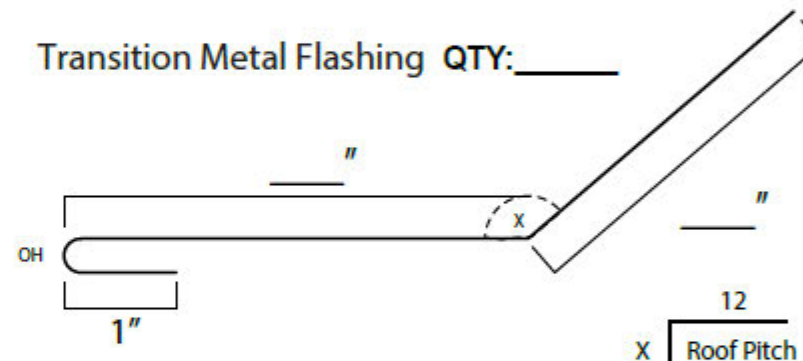
Roof to Wall For Siding



Alternate Surface Mount with Caulk Lip



Transition Metal Flashing QTY: _____



MATERIAL

- Aluminum Kynar .032 or _____ Color _____
- Galvanized G-90 24 Gauge
- Stainless Steel Type 304
- Painted Steel Kynar 24/26Gauge Color _____
- Copper 16/20 oz or _____
- Patina 3000 16/20 oz _____
- Brown Copper 16/20 oz _____ Light Dark
- SMS Stainless 24G _____
- Zinc _____

CUSTOMER APPROVAL

Approved for Fabrication

Authorized Customer Signature _____

Job Address: _____

PO #: _____

Date Ordered: _____

Order taken by: _____

Phone #: _____



CHICAGO METAL SUPPLY

and fabrication, inc.

For a Timeless Look

4940 W. Grand Ave. P: (773) 227-6200

Chicago, IL 60639 F: (773) 227-1700

info@chicagometalsupply.com

Due Date: _____

Job #: _____

Estimate #: _____

Completed By: _____