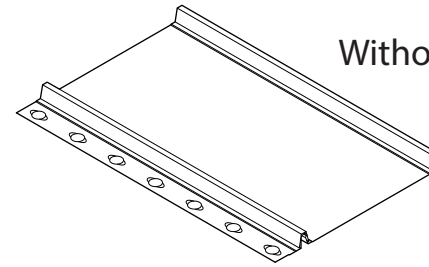
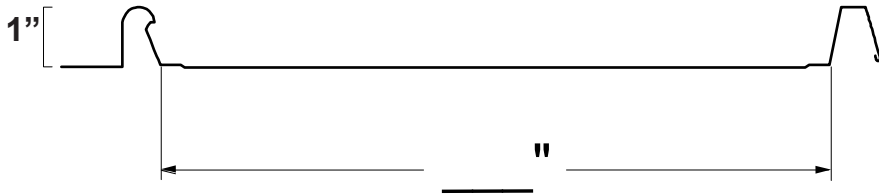


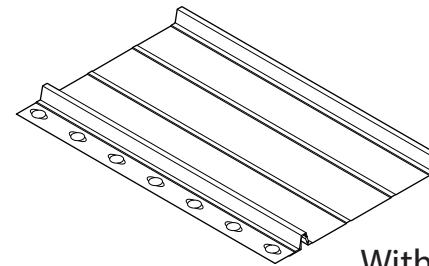
Σ = Girth

# S.L. 100 - Snaplock Panel

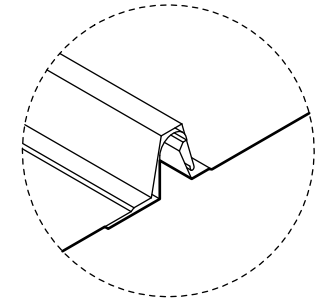
Sheets/Coil Used:



Without Striation



With Striation



## PANEL LENGTH/QUANTITIES

Clip QTY: \_\_\_\_\_

Min Pitch =  $\frac{3}{12}$

### MATERIAL

- Aluminum Kynar .032 or \_\_\_\_\_  Color \_\_\_\_\_
- Galvanized G-90 24 Gauge
- Stainless Steel Type 304
- Painted Steel Kynar 24 Gauge  Color \_\_\_\_\_
- Copper 16/20 oz or \_\_\_\_\_
- Patina 3000 16/20 oz \_\_\_\_\_
- Brown Copper 16/20 oz \_\_\_\_\_  Light  Dark
- SMS Stainless 24G \_\_\_\_\_
- Zinc \_\_\_\_\_

### CUSTOMER APPROVAL

Approved for Fabrication

Authorized Customer Signature \_\_\_\_\_

Job Address: \_\_\_\_\_

PO #: \_\_\_\_\_

Order taken by: \_\_\_\_\_

Date Ordered: \_\_\_\_\_

Phone #: \_\_\_\_\_



**CHICAGO METAL SUPPLY**

A Beacon Building Products Company



4940 W Grand ave. Phone: 773-227-6200

Chicago IL 60639 Fax: 773-227-1700

e-mail: info@chicagometalsupply.com

Completed By: \_\_\_\_\_

Estimate #: \_\_\_\_\_

Due Date: \_\_\_\_\_

Job #: \_\_\_\_\_