

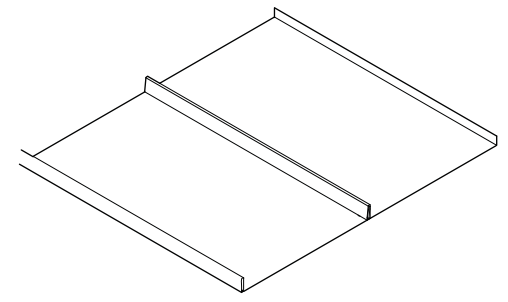
Σ = Girth

S.L. 175 - Snaplock Panel

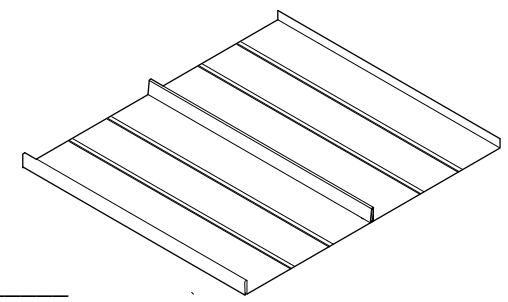
Sheets/Coil Used:



Without Striation



With Striation



Clip QTY: _____

Min Pitch = $\frac{3}{12}$

MATERIAL

- Aluminum Kynar .032 or _____ Color _____
- Galvanized G-90 24 Gauge
- Stainless Steel Type 304
- Painted Steel Kynar 24/26Gauge Color _____
- Copper 16/20 oz or _____
- Patina 3000 16/20 oz _____
- Brown Copper 16/20 oz _____ Light Dark
- SMS Stainless 24G _____
- Zinc _____

Due Date:

PANEL LENGTH/QUANTITIES

Job #:

CUSTOMER APPROVAL	
<input type="checkbox"/> Approved for Fabrication	Authorized Customer Signature _____
Job Address: _____	
PO #: _____	Order taken by: _____
Date Ordered: _____	Phone #: _____



4940 W Grand ave. Phone: 773-227-6200
 Chicago IL 60639 Fax: 773-227-1700
 e-mail: info@chicagometalsupply.com

Completed By: _____

Estimate #: