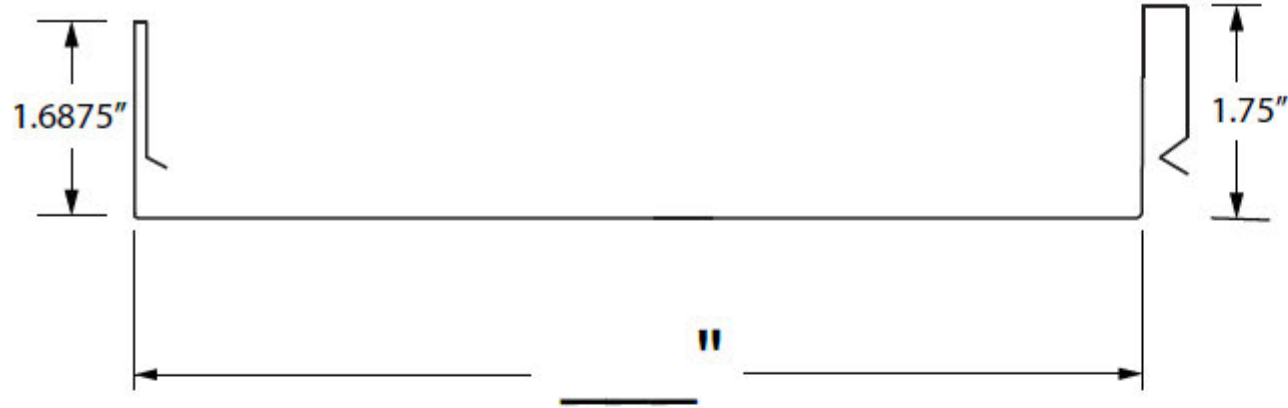


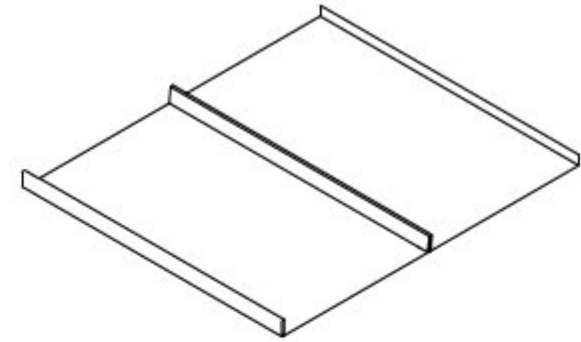
Σ = Girth

S.L. 175 - Snaplock Panel

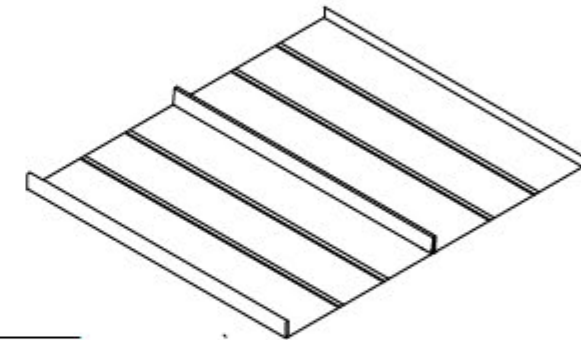
Sheets/Coil Used:



Without Striation



With Striation



Clip QTY: _____

Min Pitch = $\frac{3}{12}$

MATERIAL

- Aluminum Kynar .032 or _____ Color _____
- Galvanized G-90 24 Gauge
- Stainless Steel Type 304
- Painted Steel Kynar 24/26Gauge Color _____
- Copper 16/20 oz or _____
- Patina 3000 16/20 oz _____
- Brown Copper 16/20 oz _____ Light Dark
- SMS Stainless 24G _____
- Zinc _____

PANEL LENGTH/QUANTITIES

_____ "

CUSTOMER APPROVAL

Approved for Fabrication

Authorized Customer Signature _____

Job Address: _____

PO #: _____

Date Ordered: _____

Order taken by: _____

Phone #: _____



CHICAGO METAL SUPPLY

and fabrication, inc.

For a Timeless Look

4940 W. Grand Ave. P: (773) 227-6200

Chicago, IL 60639 F: (773) 227-1700

info@chicagometalsupply.com

Completed By: _____

Estimate #: _____

Due Date: _____

Job #: _____