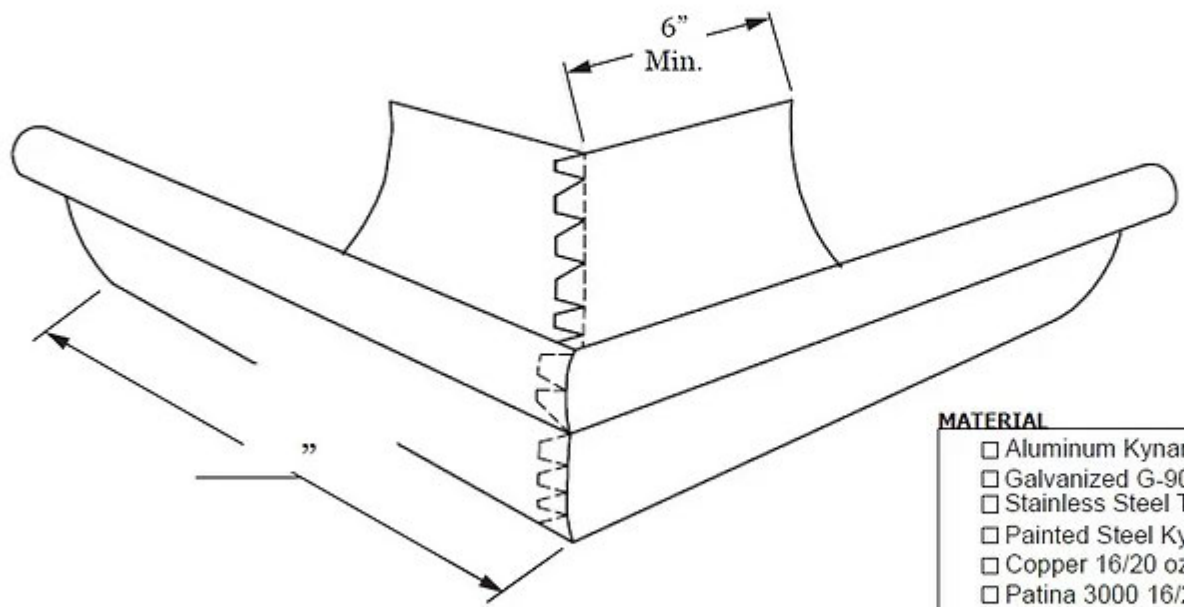


Half Round Mitered Outside Corner (Gutter)

Sheets Used: _____



MATERIAL

- Aluminum Kynar .032 or _____ Color _____
- Galvanized G-90 24 Gauge
- Stainless Steel Type 304
- Painted Steel Kynar 24/26Gauge Color _____
- Copper 16/20 oz or _____
- Patina 3000 16/20 oz _____
- Brown Copper 16/20 oz _____ Light Dark
- SMS Stainless 24G _____
- Zinc _____

CUSTOMER APPROVAL
 Approved for Fabrication _____
 Authorized Customer Signature

Job Address: _____

PO #: _____ Order taken by: _____

Date Ordered: _____ Phone #: _____

CHICAGO METAL SUPPLY
 and fabrication, inc.
For a Timeless Look

4940 W. Grand Ave. P: (773) 227-6200
 Chicago, IL 60639 F: (773) 227-1700
 info@chicagometalsupply.com

Due Date:

Job #:

Completed By: _____

Estimate #: