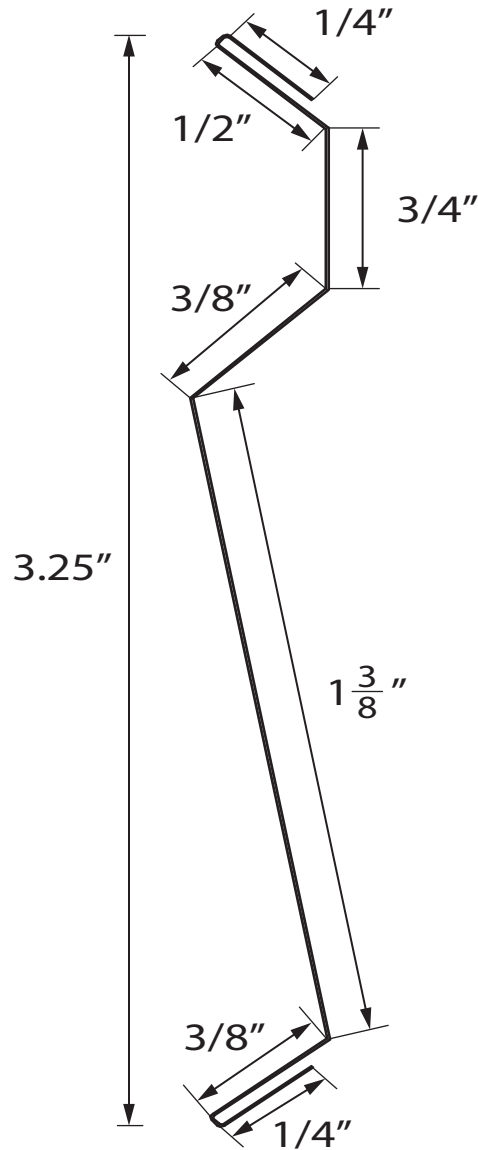


1PC Counter Flashing 3.25" CMS Standard

Sheets Used:

Due Date:



Job #:

QTY: _____ pc(s)

MATERIAL

- Aluminum Kynar .032 or _____ Color _____
- Galvanized G-90 24 Gauge
- Stainless Steel Type 304
- Painted Steel Kynar 24/26Gauge Color _____
- Copper 16/20 oz or _____
- Patina 3000 16/20 oz _____
- Brown Copper 16/20 oz _____ Light Dark
- SMS Stainless 24G _____
- Zinc _____

CUSTOMER APPROVAL	
<input type="checkbox"/> Approved for Fabrication	Authorized Customer Signature _____
Job Address:	
PO #:	Order taken by:
Date Ordered:	Phone #:



4940 W Grand ave. Phone: 773-227-6200
Chicago IL 60639 Fax: 773-227-1700
e-mail: info@chicagometalsupply.com

Completed By:

Estimate #: