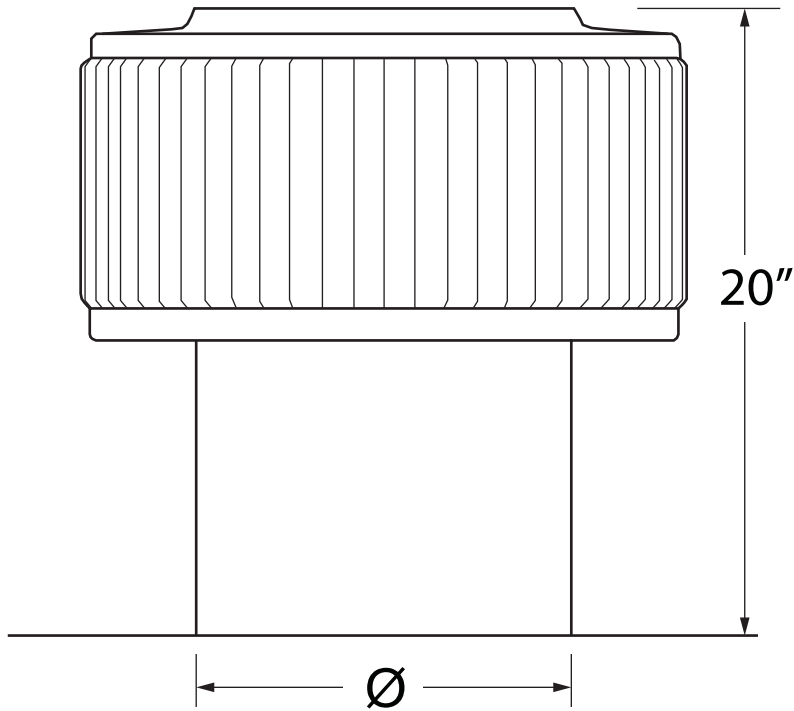
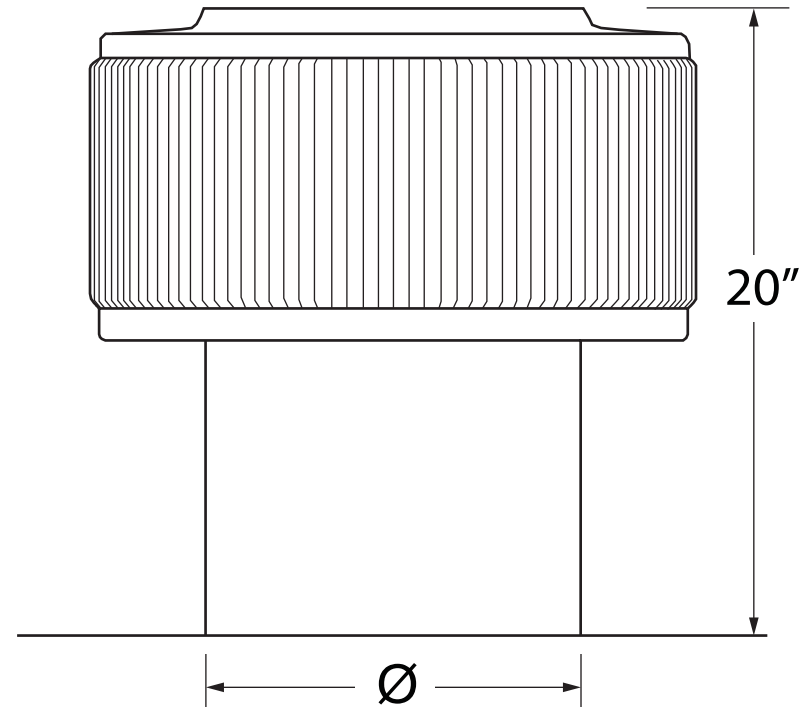


Aura Vent

Sheets Used:



One-Way Breather Vent



Two-Way Breather Vent

CFM RATING

Ø:	Square Inches	Square Foot
<input type="checkbox"/> 6"	29	.19
<input type="checkbox"/> 8"	50	.35
<input type="checkbox"/> 10"	79	.55
<input type="checkbox"/> 12"	113	.78

MATERIAL

MILL FINISH ALUMINUM ONLY

CUSTOMER APPROVAL

Approved for Fabrication

Authorized Customer Signature _____

Job Address:

PO #:

Date Ordered:

Order taken by:

Phone #:



CHICAGO METAL SUPPLY

A Beacon Building Products Company



4940 W Grand ave. Phone: 773-227-6200

Chicago IL 60639 Fax: 773-227-1700

e-mail: info@chicagometalsupply.com

Due Date:

Job #:

Estimate #:

Completed By: