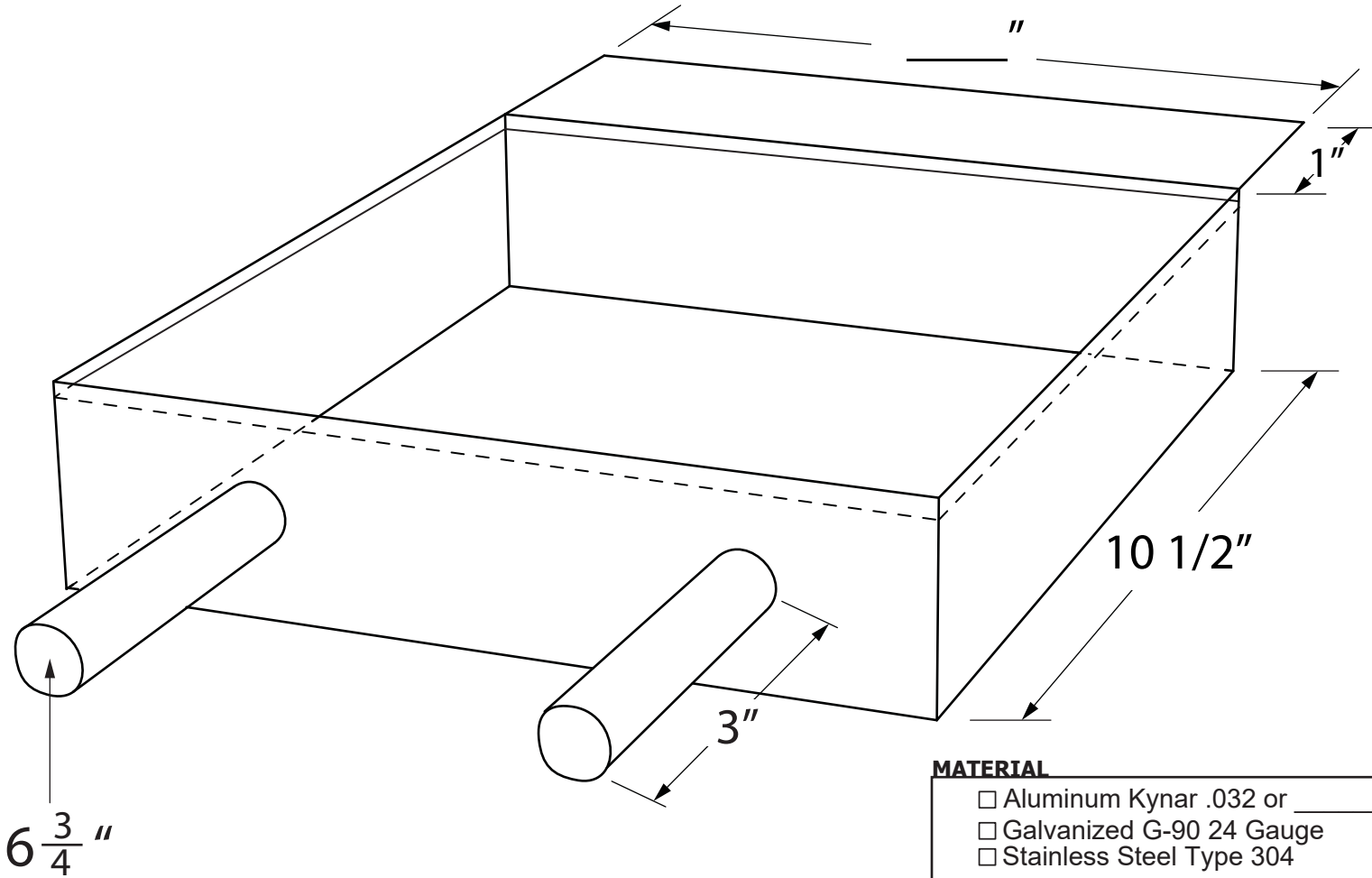


Condensation Pan With Copper Tubing

Sheets Used:

Due Date:



Job #:

- MATERIAL**
- Aluminum Kynar .032 or _____ Color _____
 - Galvanized G-90 24 Gauge
 - Stainless Steel Type 304
 - Painted Steel Kynar 24/26Gauge Color _____
 - Copper 16/20 oz or _____
 - Patina 3000 16/20 oz _____
 - Brown Copper 16/20 oz _____ Light Dark
 - SMS Stainless 24G _____
 - Zinc _____

CUSTOMER APPROVAL

Approved for Fabrication _____
 Authorized Customer Signature _____

Job Address: _____

PO #: _____ Order taken by: _____

Date Ordered: _____ Phone #: _____



CHICAGO METAL SUPPLY
A Beacon Building Products Company



BEACON

4940 W Grand ave. Phone: 773-227-6200
 Chicago IL 60639 Fax: 773-227-1700
 e-mail: info@chicagometalsupply.com

Completed By:

Estimate #: