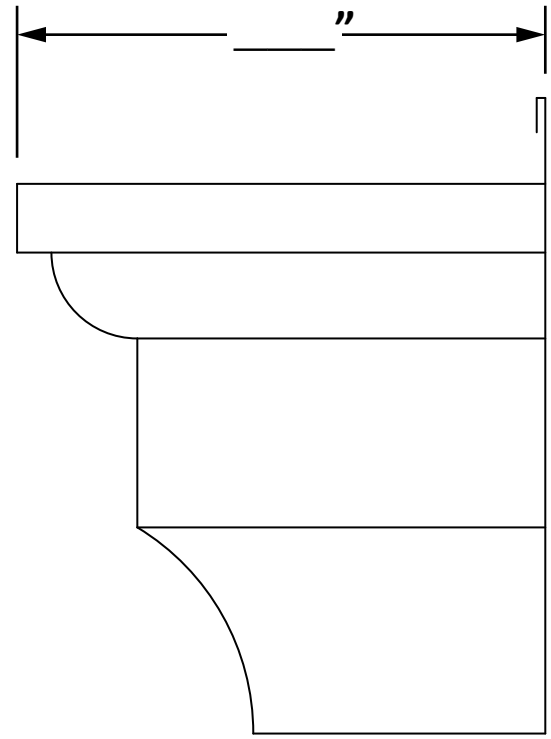
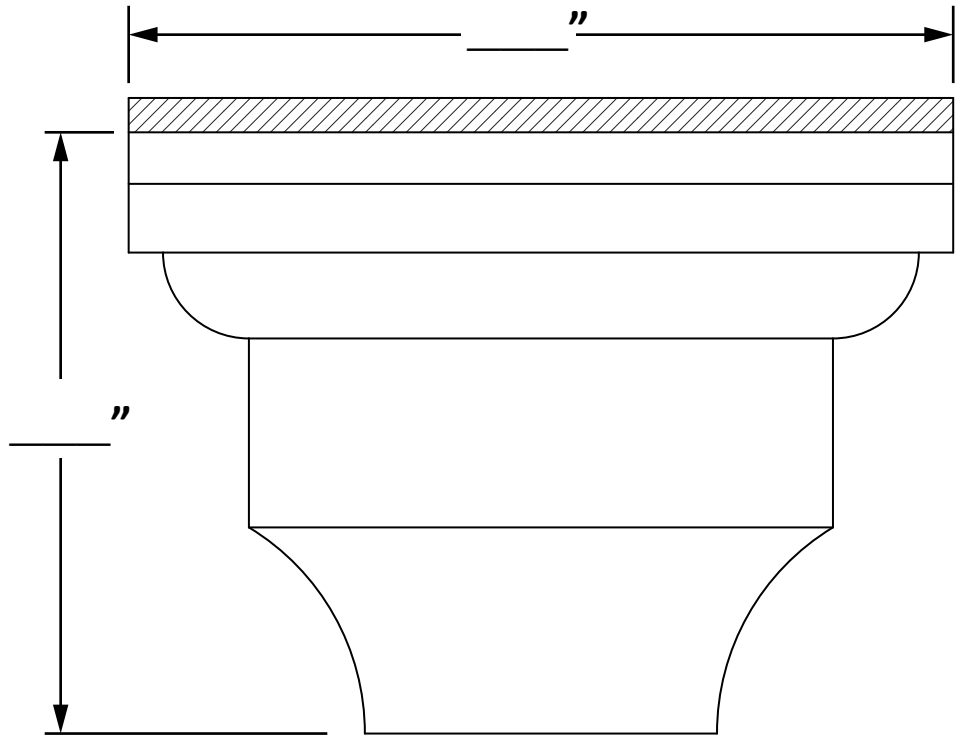


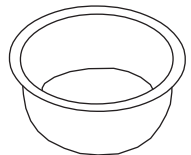
# Conductor Head

Sheets Used: \_\_\_\_\_

Due Date:



Job #:



**\*Drop outlet:**

- Round: 3" \_\_\_\_ 4" \_\_\_\_ 5" \_\_\_\_ 6" \_\_\_\_
- Octagonal: 2"x3" \_\_\_\_ 3"x4" \_\_\_\_ 4"x5" \_\_\_\_ 5"x6" \_\_\_\_

Conductor Head quantity: \_\_\_\_\_ pcs.

**MATERIAL**

- Aluminum Kynar .032 or \_\_\_\_\_  Color \_\_\_\_\_
- Galvanized G-90 24 Gauge
- Stainless Steel Type 304
- Painted Steel Kynar 24/26Gauge  Color \_\_\_\_\_
- Copper 16/20 oz or \_\_\_\_\_
- Patina 3000 16/20 oz \_\_\_\_\_
- Brown Copper 16/20 oz \_\_\_\_\_  Light  Dark
- SMS Stainless 24G \_\_\_\_\_
- Zinc \_\_\_\_\_

<b>CUSTOMER APPROVAL</b>	
<input type="checkbox"/> Approved for Fabrication	Authorized Customer Signature _____
Job Address: _____	
PO #: _____	Order taken by: _____
Date Ordered: _____	Phone #: _____



**CHICAGO METAL SUPPLY**

A Beacon Building Products Company



**BEACON**

4940 W Grand ave. Phone: 773-227-6200  
 Chicago IL 60639 Fax: 773-227-1700  
 e-mail: info@chicagometalsupply.com

Completed By: \_\_\_\_\_

Estimate #: