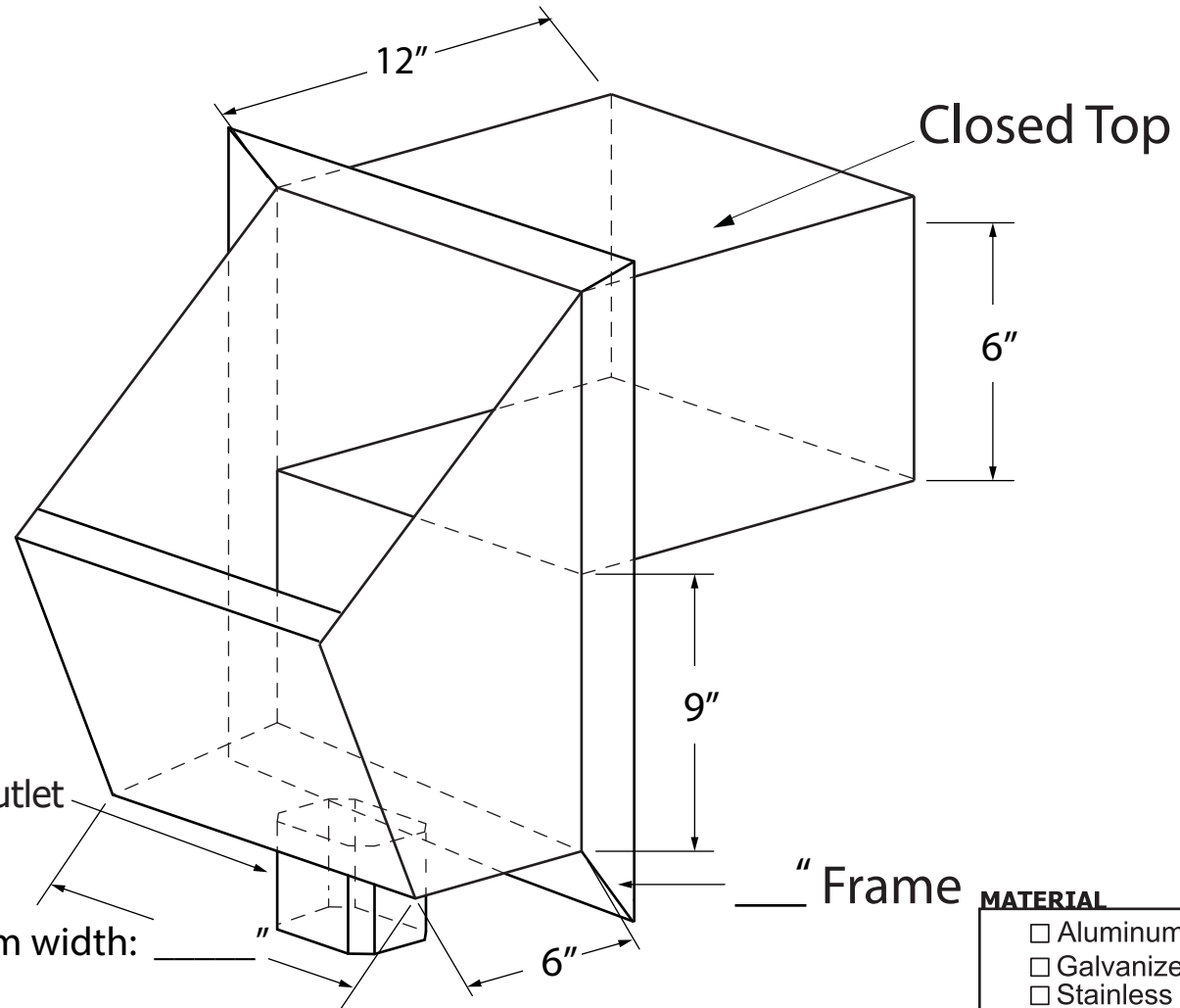


Covered Scupper Box

Sheets Used: _____

Due Date:



***Drop outlet:**

Round

Octagonal

- 3" _____
- 4" _____
- 5" _____
- 6" _____

- 2"x3" _____
- 3"x4" _____
- 4"x5" _____
- 5"x6" _____

QTY: _____ pc(s)

Job #:

MATERIAL

- Aluminum Kynar .032 or _____ Color _____
- Galvanized G-90 24 Gauge
- Stainless Steel Type 304
- Painted Steel Kynar 24/26Gauge Color _____
- Copper 16/20 oz or _____
- Patina 3000 16/20 oz _____
- Brown Copper 16/20 oz _____ Light Dark
- SMS Stainless 24G _____
- Zinc _____

CUSTOMER APPROVAL

Approved for Fabrication _____

Authorized Customer Signature _____

Job Address: _____

PO #: _____ Order taken by: _____

Date Ordered: _____ Phone #: _____



4940 W Grand ave. Phone: 773-227-6200
 Chicago IL 60639 Fax: 773-227-1700
 e-mail: info@chicagometalsupply.com

Completed By: _____

Estimate #: