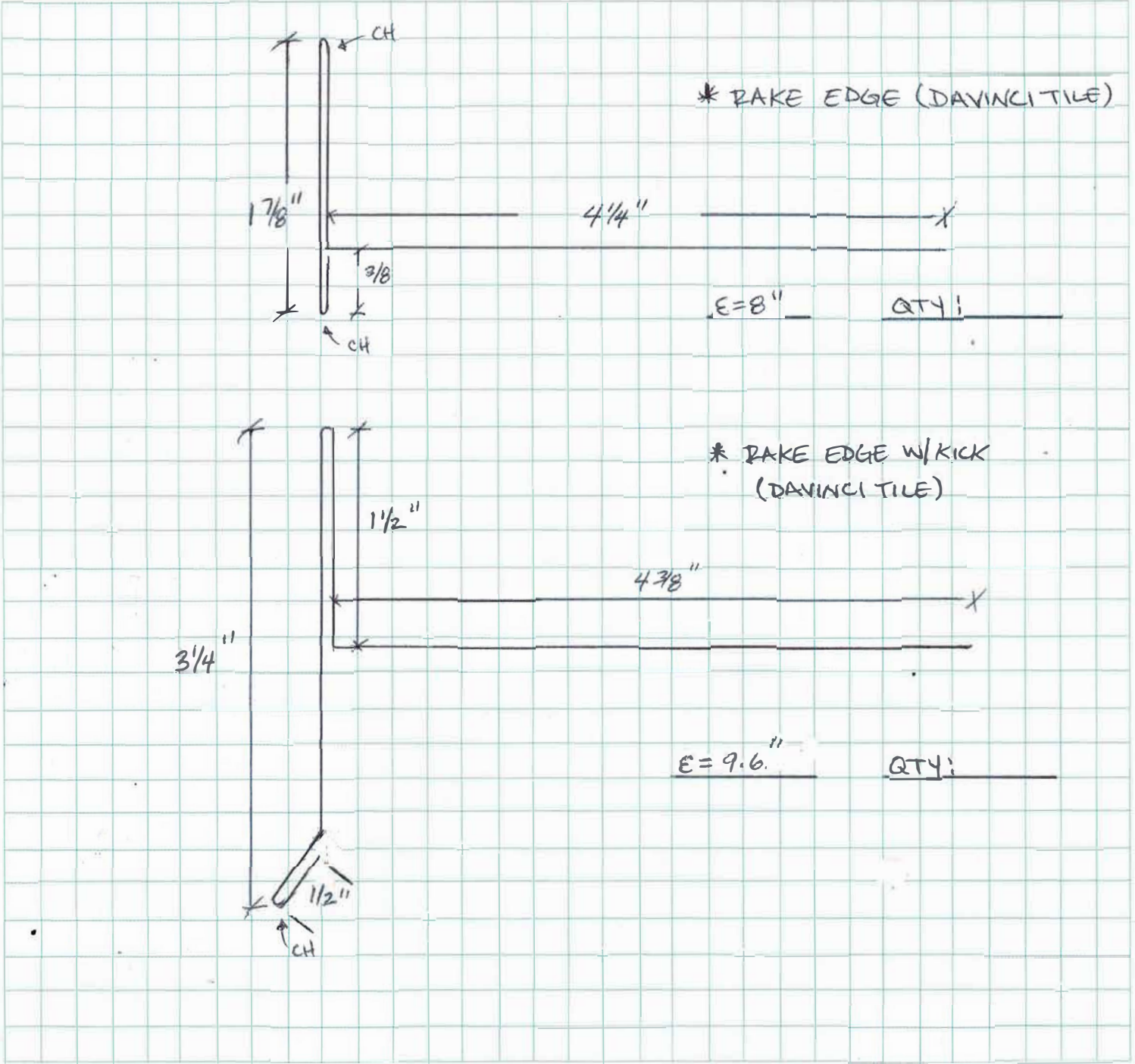


Job# _____ Order taken by: _____ Due Date: _____ Sheets Used: _____ Completed by: _____



MATERIALS

- Painted Steel Kynar 28ga. _____
- Copper 16oz. _____

CUSTOMER/COMPANY _____

Approved for Fabrication _____
Authorized Customer Signature

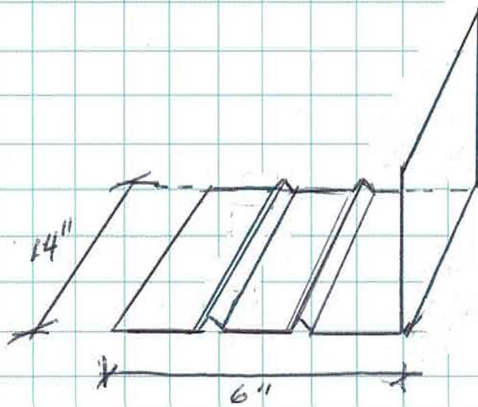
Job Address: _____

PO# _____ Ph.# _____

Date Ordered: _____ Estimate#: _____

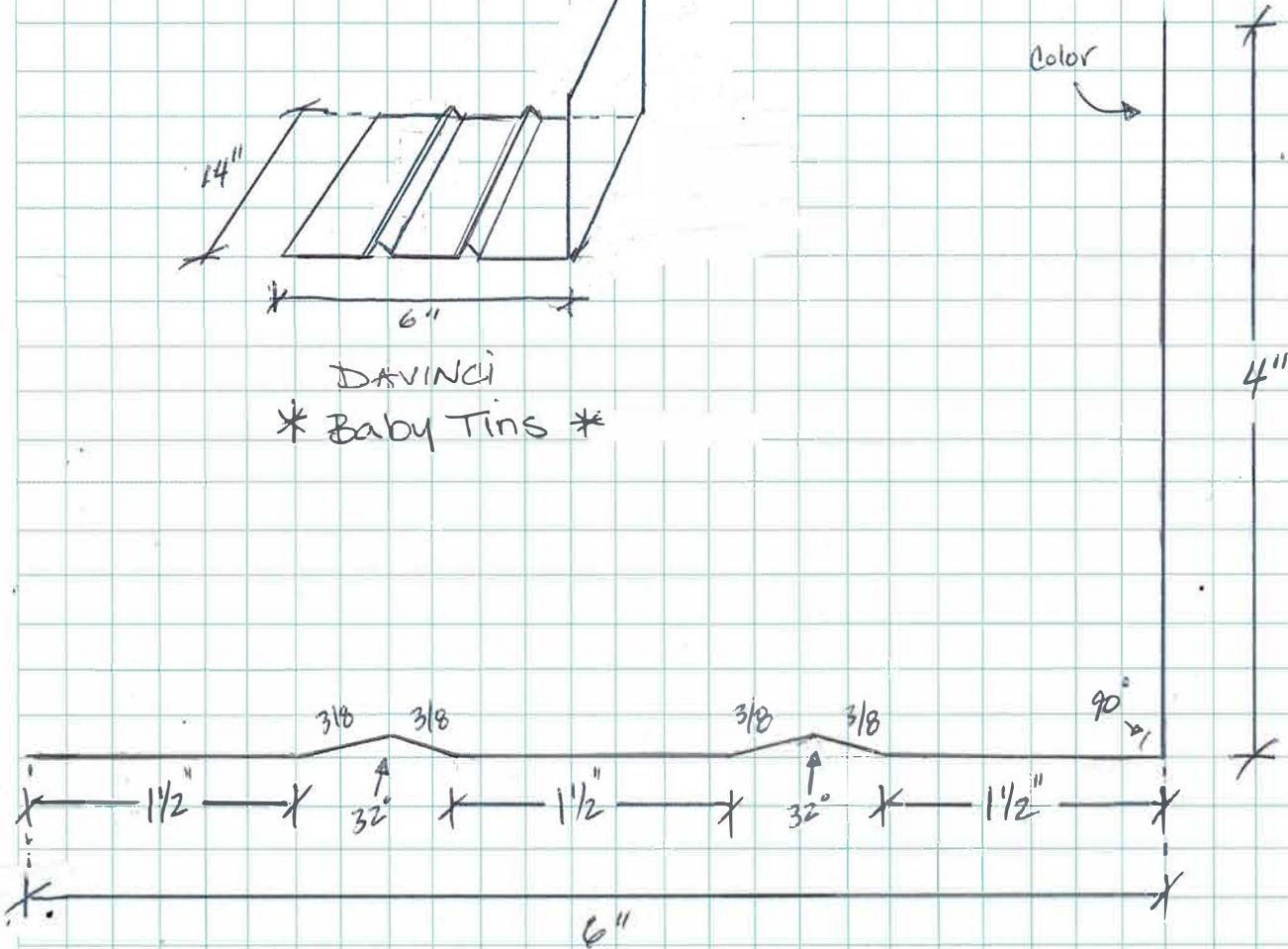
Pick-up _____ Delivery: _____

Job# _____ Order taken by: _____ Due Date: _____ Sheets Used: _____ Completed by: _____



DAVINCI
* Baby Tins *

Color →



MATERIALS

Painted Steel Kynar 28ga. _____

Copper 16 oz. _____

CUSTOMER/COMPANY _____

Approved for Fabrication _____
Authorized Customer Signature

Job Address: _____

PO# _____ Ph.# _____

Date Ordered: _____ Estimate#: _____

Pick-up _____ Delivery: _____