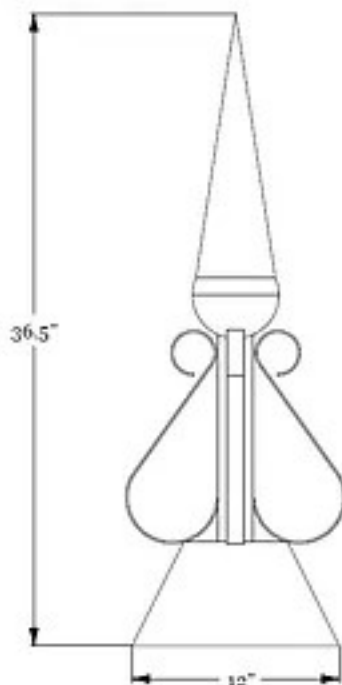
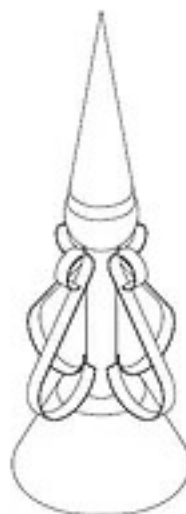


Finial F10

Front/ Side View:



Isometric View:

**MATERIAL**

- Aluminum Kynar .032 or _____ Color _____
 Galvanized G-90 24 Gauge
 Stainless Steel Type 304
 Painted Steel Kynar 24/26 Gauge Color _____
 Copper 16/20 oz or _____
 Patina 3000 16/20 oz _____
 Brown Copper 16/20 oz _____ Light Dark
 SMS Stainless 24G _____
 Zinc _____

Custom Sizing Available Call for Pricing**CUSTOMER APPROVAL** Approved for Fabrication_____
Customer Signature

Job Address: _____

PO #:

Order taken by: _____

Date Ordered: _____

**CHICAGO METAL SUPPLY**
and fabrication, Inc.

FOR A TIMELESS LOOK™

4940 W Grand ave. Phone: 773-227-6200

Chicago IL 60639 Fax: 773-227-1700

e-mail: info@chicagometal.com

Due Date:

Job #:

Estimate #: