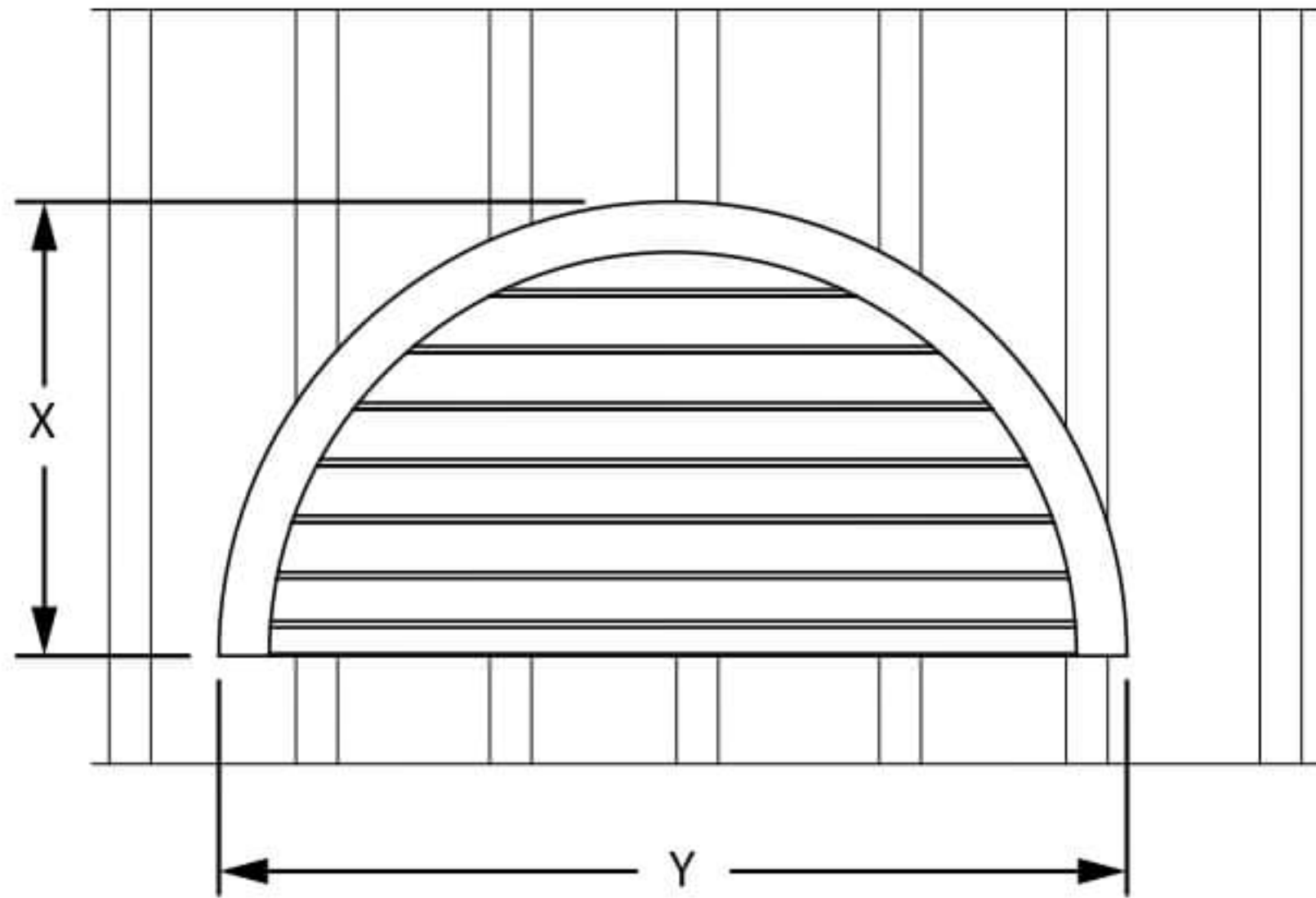


Half Round Louver Dormer

Front View:



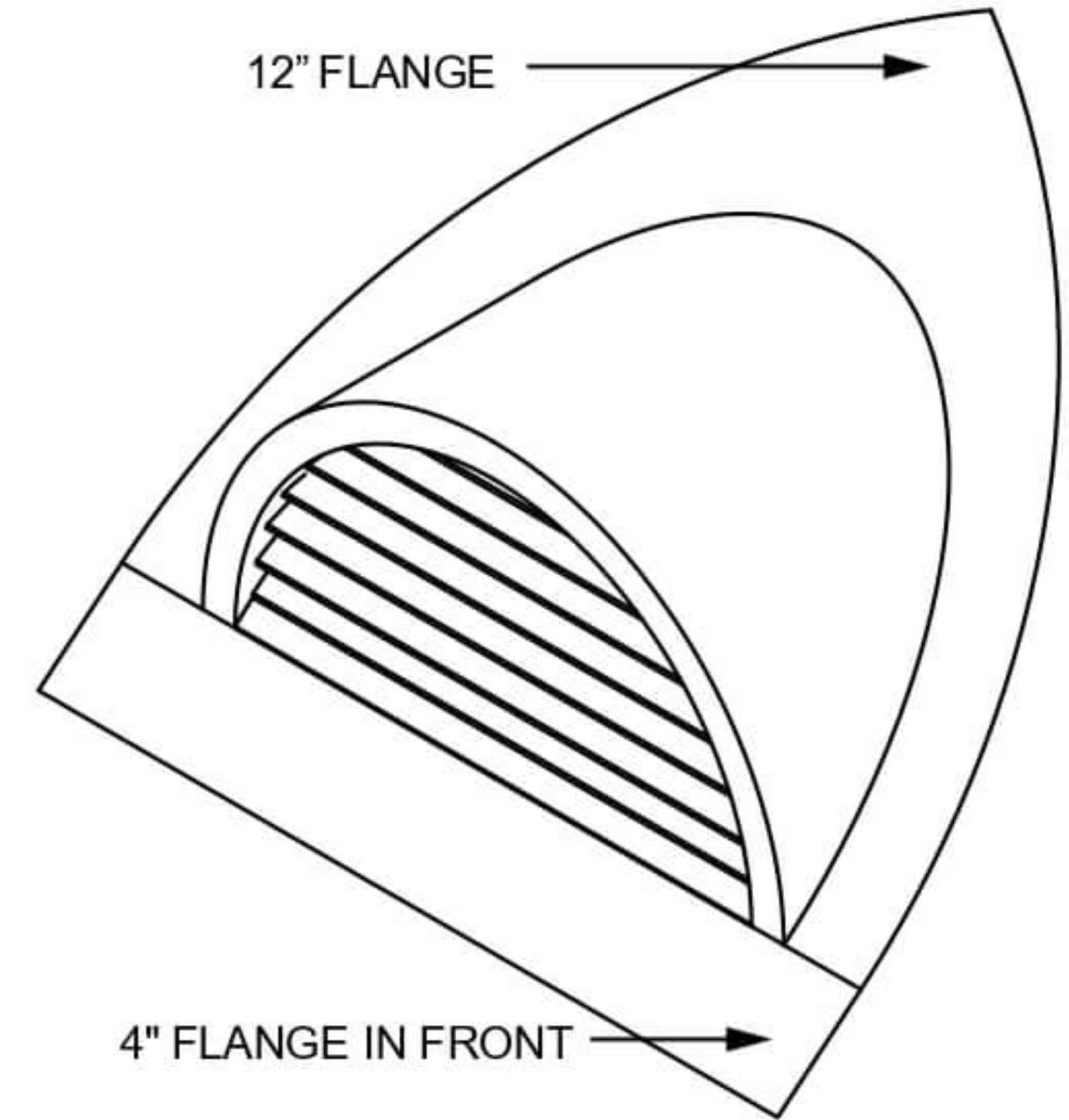
Custom Size:

X: _____

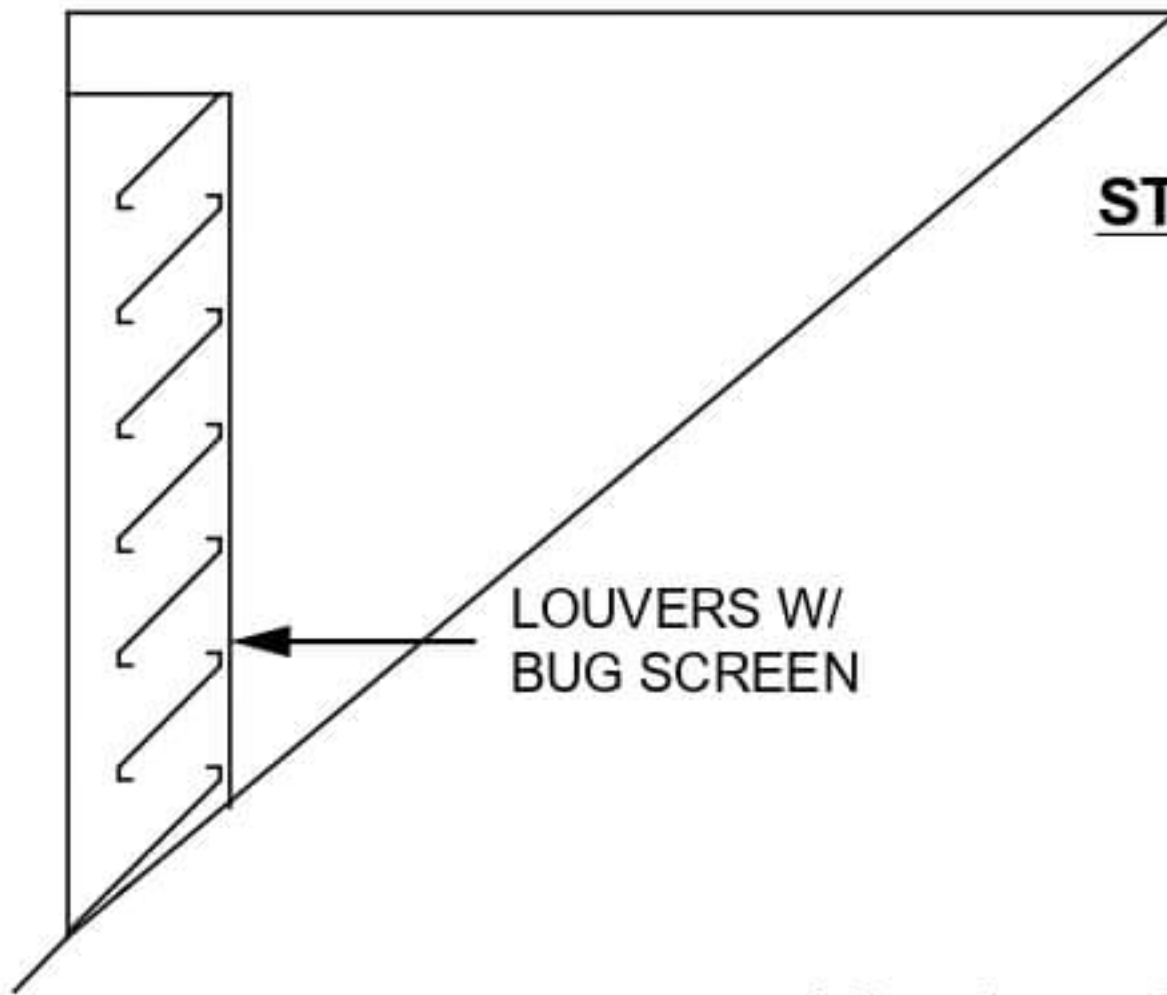
Y: _____

Pitch: _____

Isometric View Under Roofing:



Side View:



STANDARD DIMENSIONS AVAILABLE:

	X	Y	ROOF PITCH
<input type="checkbox"/>	18"	9"	
<input type="checkbox"/>	24"	12"	
<input type="checkbox"/>	36"	18"	
<input type="checkbox"/>	48"	24"	
<input type="checkbox"/>	60"	30"	
<input type="checkbox"/>	72"	36"	
<input type="checkbox"/>	84"	42"	
<input type="checkbox"/>	96"	48"	

MATERIAL

- Aluminum Kynar .032 or _____ Color _____
- Galvanized G-90 24 Gauge
- Stainless Steel Type 304
- Painted Steel Kynar 24/26Gauge Color _____
- Copper 16/20 oz or _____
- Patina 3000 16/20 oz _____
- Brown Copper 16/20 oz _____ Light Dark
- SMS Stainless 24G _____
- Zinc _____

Custom Sizing Available Call for Pricing

CUSTOMER APPROVAL

Approved for Fabrication

Authorized Customer Signature _____

Job Address: _____

PO #: _____

Order taken by: _____

Date Ordered: _____



CHICAGO METAL SUPPLY
and fabrication, inc.

FOR A TIMELESS LOOK™

4940 W Grand ave. Phone: 773-227-6200
Chicago IL 60639 Fax: 773-227-1700
e-mail: info@chicagometalsupply.com

Due Date:

Job #:

Estimate #: