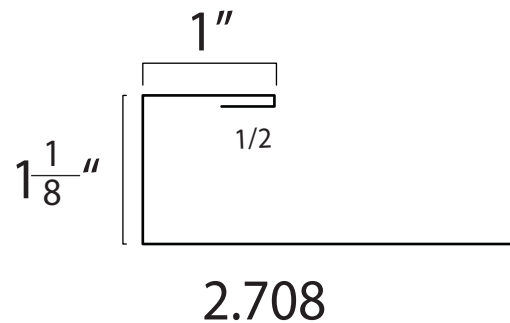


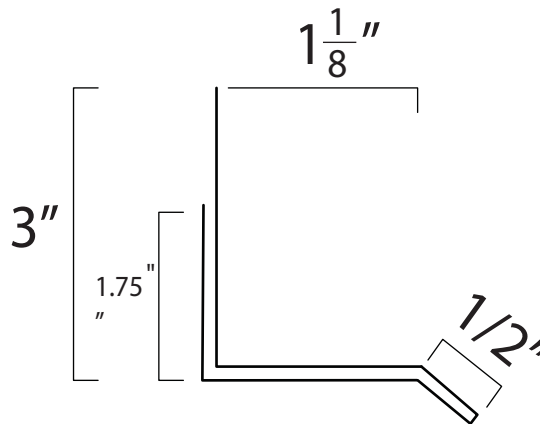
Sheets Used:

## J Channel



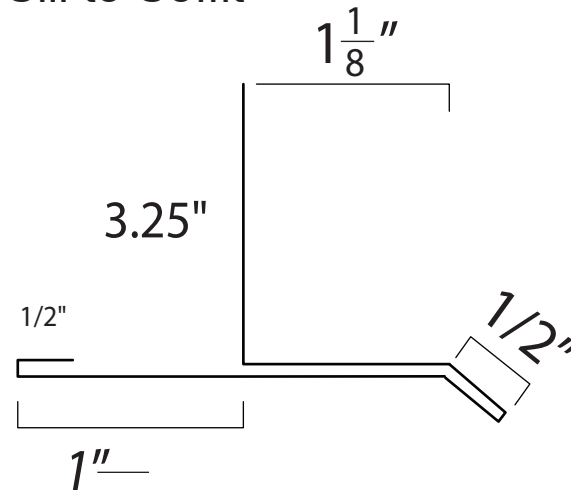
Σ = 5.33

## Sill



Σ = 8.0

## Sill to Soffit



Σ = 8.0

### MATERIAL

- Aluminum Kynar .032 or \_\_\_\_\_  Color \_\_\_\_\_
- Galvanized G-90 24 Gauge
- Stainless Steel Type 304
- Painted Steel Kynar 24/26Gauge  Color \_\_\_\_\_
- Copper 16/20 oz or \_\_\_\_\_
- Patina 3000 16/20 oz \_\_\_\_\_
- Brown Copper 16/20 oz \_\_\_\_\_  Light  Dark
- SMS Stainless 24G \_\_\_\_\_
- Zinc \_\_\_\_\_

### CUSTOMER APPROVAL

Approved for Fabrication

Authorized Customer Signature \_\_\_\_\_

Job Address:

PO #:

Date Ordered:

Order taken by:

Phone #:



**CHICAGO METAL SUPPLY**

A Beacon Building Products Company



4940 W Grand ave. Phone: 773-227-6200  
 Chicago IL 60639 Fax: 773-227-1700  
 e-mail: info@chicagometalsupply.com

Estimate #:

Completed By:

Due Date:

Job #: