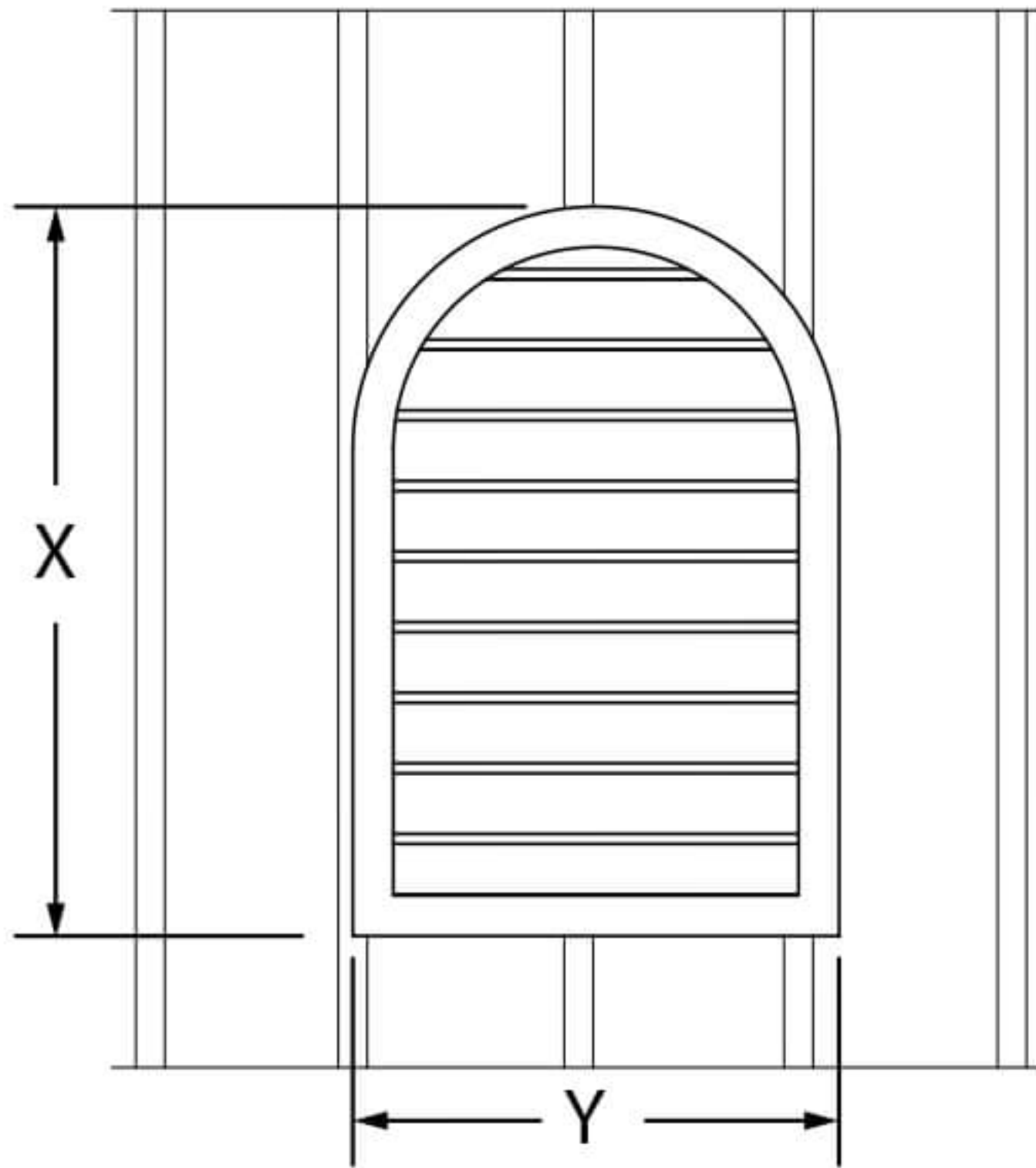
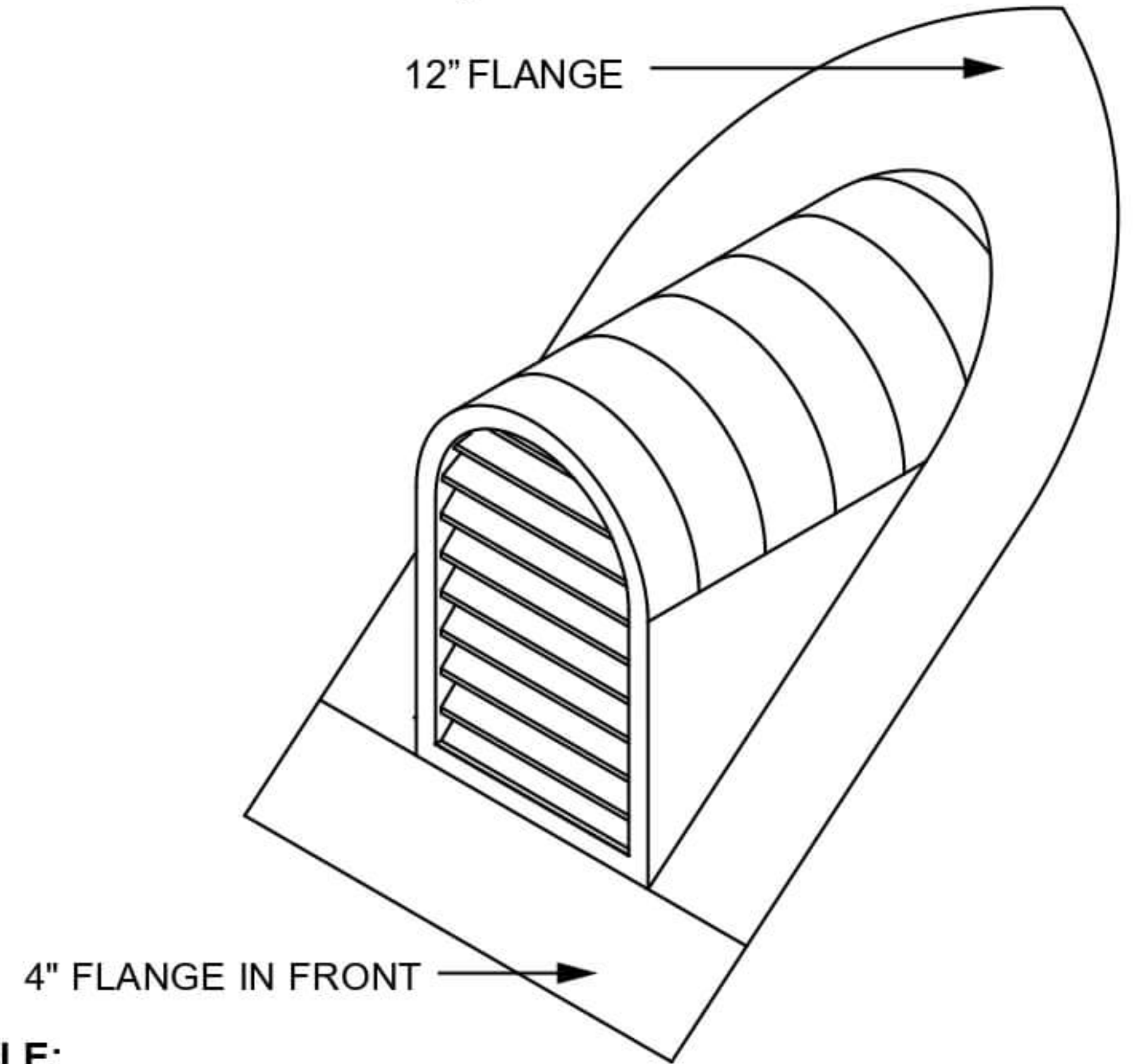


# Round Top Louver Dormer

Front View:



Isometric View Under Roofing:



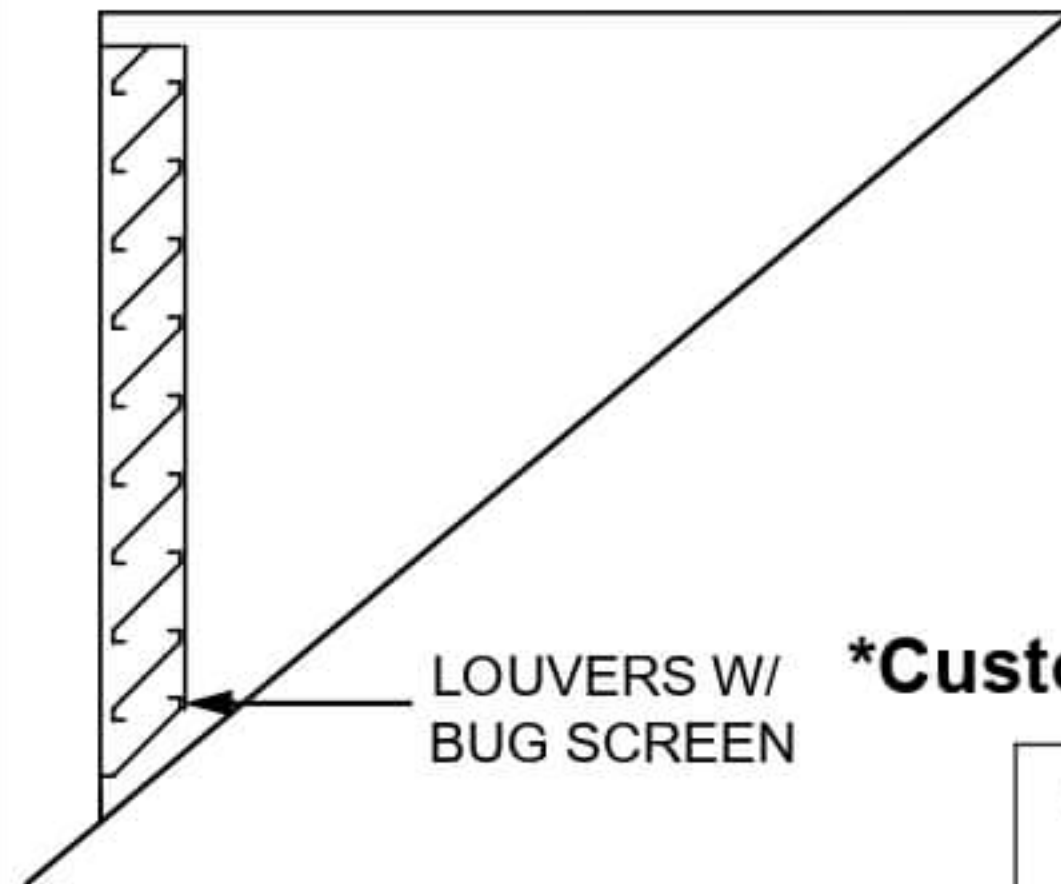
**Custom Size:**

X: \_\_\_\_\_

Y: \_\_\_\_\_

Pitch: \_\_\_\_\_

Side View:



**STANDARD DIMENSIONS AVAILABLE:**

	X	Y	ROOF PITCH
<input type="checkbox"/>	12"	18"	
<input type="checkbox"/>	18"	36"	
<input type="checkbox"/>	24"	36"	
<input type="checkbox"/>	24"	48"	
<input type="checkbox"/>	30"	60"	
<input type="checkbox"/>	36"	60"	

**\*Custom Sizing Available Call for Pricing\***

**MATERIAL**

- Aluminum Kynar .032 or \_\_\_\_\_  Color \_\_\_\_\_
- Galvanized G-90 24 Gauge
- Stainless Steel Type 304
- Painted Steel Kynar 24/26Gauge  Color \_\_\_\_\_
- Copper 16/20 oz or \_\_\_\_\_
- Patina 3000 16/20 oz \_\_\_\_\_
- Brown Copper 16/20 oz \_\_\_\_\_  Light  Dark
- SMS Stainless 24G \_\_\_\_\_
- Zinc \_\_\_\_\_

**CUSTOMER APPROVAL**

Approved for Fabrication

Authorized Customer Signature \_\_\_\_\_

Job Address: \_\_\_\_\_

PO #: \_\_\_\_\_

Order taken by: \_\_\_\_\_

Date Ordered: \_\_\_\_\_



**CHICAGO METAL SUPPLY**  
and fabrication, inc.

FOR A TIMELESS LOOK™

4940 W Grand ave. Phone: 773-227-6200  
Chicago IL 60639 Fax: 773-227-1700  
e-mail: info@chicagometalsupply.com

Due Date:

Job #:

Estimate #: