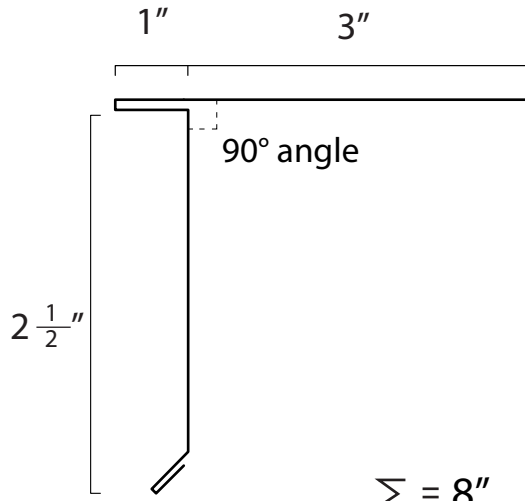


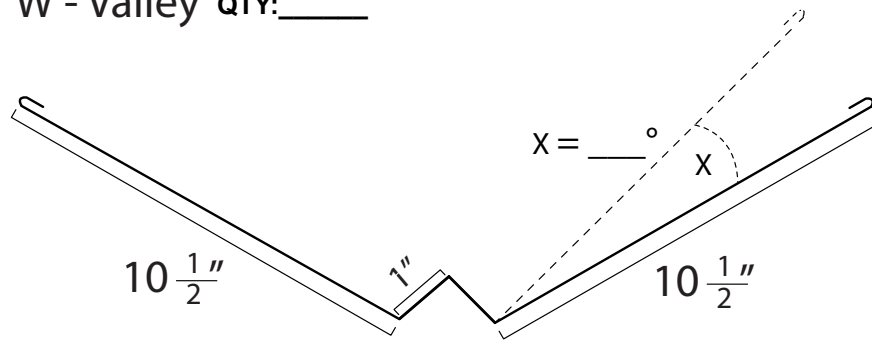
Σ = Girth

Gable Starter QTY: _____



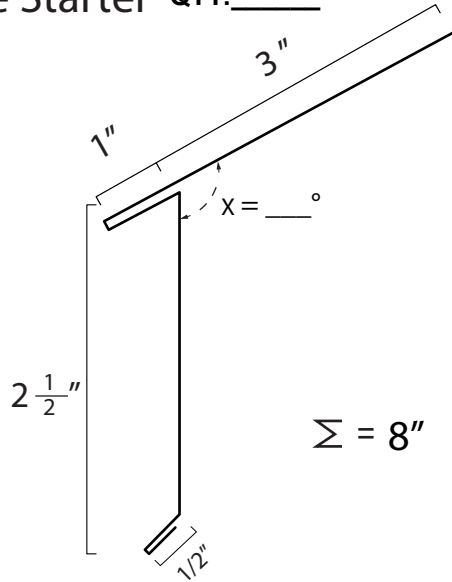
Sheets Used:

W - Valley QTY: _____

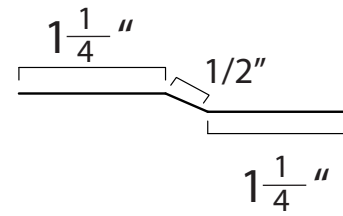


Σ = 24"
12
X Roof Pitch

Eave Starter QTY: _____



Starter Cleat QTY: _____



MATERIAL

- Aluminum Kynar .032 or _____ Color _____
- Galvanized G-90 24 Gauge
- Stainless Steel Type 304
- Painted Steel Kynar 24 Gauge Color _____
- Copper 16/20 oz or _____
- Patina 3000 16/20 oz _____
- Brown Copper 16/20 oz _____ Light Dark
- SMS Stainless 24G _____
- Zinc _____

CUSTOMER APPROVAL

Approved for Fabrication

Authorized Customer Signature _____

Job Address: _____

PO #: _____

Date Ordered: _____

Order taken by: _____

Phone #: _____



CHICAGO METAL SUPPLY

A Beacon Building Products Company



4940 W Grand ave. Phone: 773-227-6200

Chicago IL 60639 Fax: 773-227-1700

e-mail: info@chicagometalsupply.com

12
X Roof Pitch

Completed By: _____

Estimate #: _____

Due Date: _____

Job #: _____