

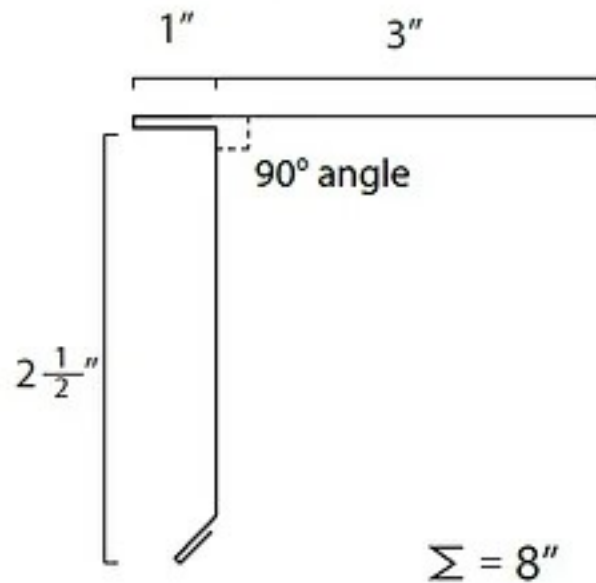
Σ = Girth

Due Date:

Job #:

Completed By:

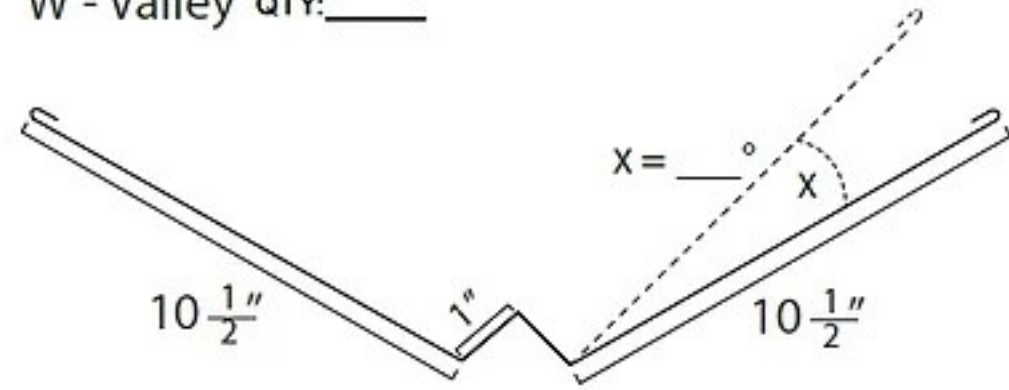
Gable Starter QTY: _____



Σ = 8"

Sheets Used:

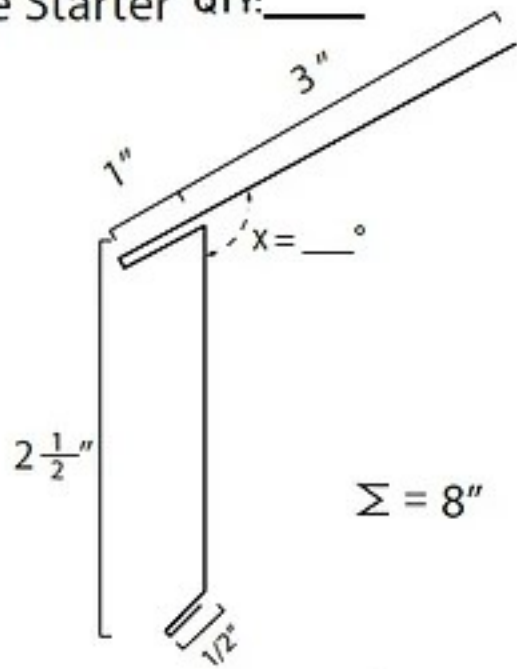
W - Valley QTY: _____



Σ = 24"

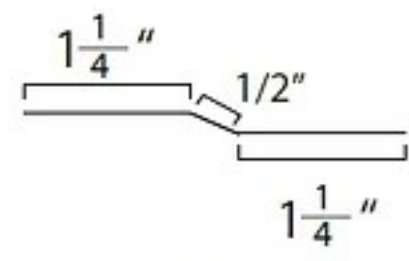
$$X \left[\frac{12}{\text{Roof Pitch}} \right]$$

Eave Starter QTY: _____



Σ = 8"

Starter Cleat QTY: _____



Σ = 3" —

MATERIAL

- Aluminum Kynar .032 or _____ Color _____
- Galvanized G-90 24 Gauge
- Stainless Steel Type 304
- Painted Steel Kynar 24 Gauge Color _____
- Copper 16/20 oz or _____
- Patina 3000 16/20 oz _____
- Brown Copper 16/20 oz _____ Light Dark
- SMS Stainless 24G _____
- Zinc _____

$$X \left[\frac{12}{\text{Roof Pitch}} \right]$$

CUSTOMER APPROVAL
 Approved for Fabrication _____
Authorized Customer Signature

Job Address: _____

PO #: _____ Order taken by: _____

Date Ordered: _____ Phone #: _____

CHICAGO METAL SUPPLY
 and fabrication, inc.
For a Timeless Look

4940 W. Grand Ave. P: (773) 227-6200
 Chicago, IL 60639 F: (773) 227-1700

info@chicagometalsupply.com

Estimate #: