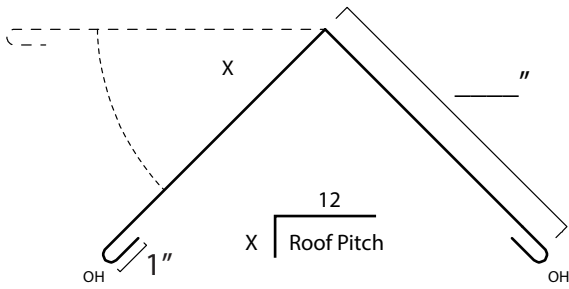


Σ = Girth

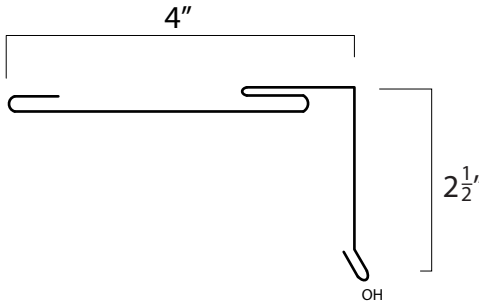
Standing Seam Accessories Page 2

Sheets Used:

Hip & Ridge QTY: _____

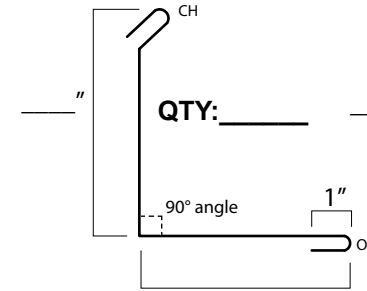


Rake Edge QTY: _____



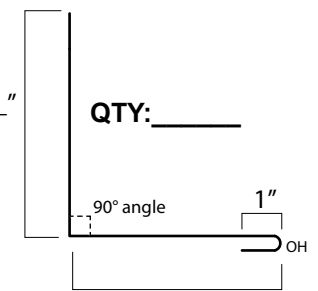
Side Wall Flashing

Surface Mount



QTY: _____

Siding

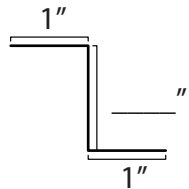


QTY: _____

Σ = _____

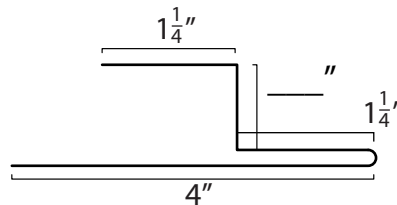
Σ = _____

Zee Closure QTY: _____



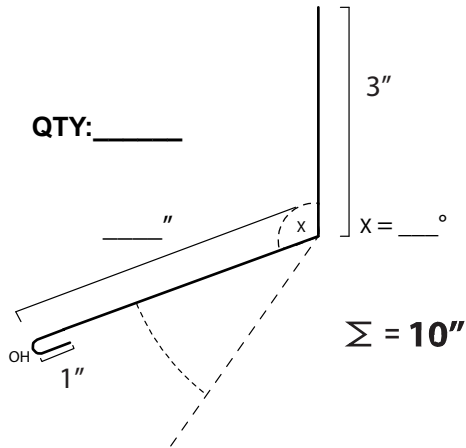
Σ =

Zee Receiver QTY: _____



Σ =

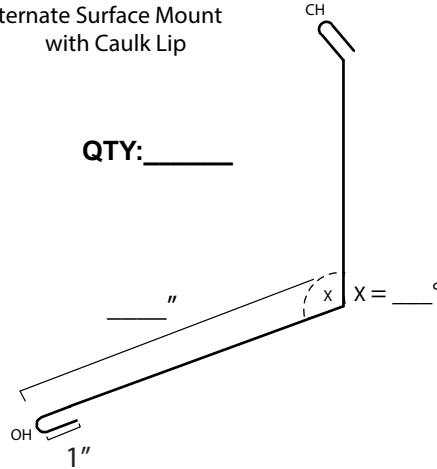
Roof to Wall For Siding



QTY: _____

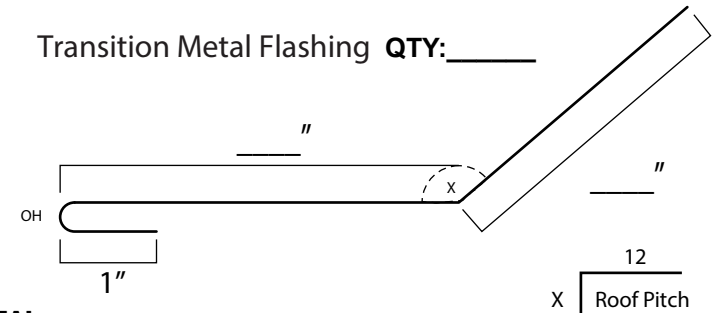
Σ = 10"

Alternate Surface Mount with Caulk Lip



QTY: _____

Transition Metal Flashing QTY: _____



MATERIAL

- Aluminum Kynar .032 or _____ Color _____
- Galvanized G-90 24 Gauge
- Stainless Steel Type 304
- Painted Steel Kynar 24/26Gauge Color _____
- Copper 16/20 oz or _____
- Patina 3000 16/20 oz _____
- Brown Copper 16/20 oz _____ Light Dark
- SMS Stainless 24G _____
- Zinc _____

CUSTOMER APPROVAL

Approved for Fabrication

Authorized Customer Signature _____

Job Address: _____

PO #: _____

Order taken by: _____

Date Ordered: _____

Phone #: _____



CHICAGO METAL SUPPLY

A Beacon Building Products Company



4940 W Grand ave. Phone: 773-227-6200

Chicago IL 60639 Fax: 773-227-1700

e-mail: info@chicagometalsupply.com

Due Date:

Job #:

Estimate #:

Completed By: _____